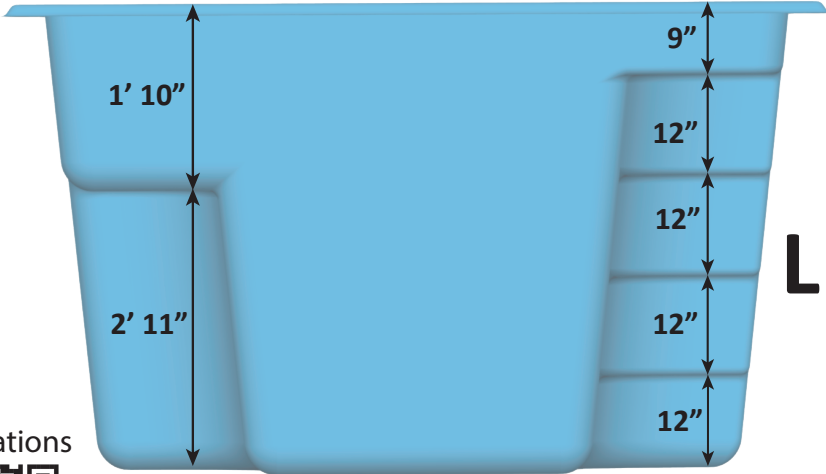
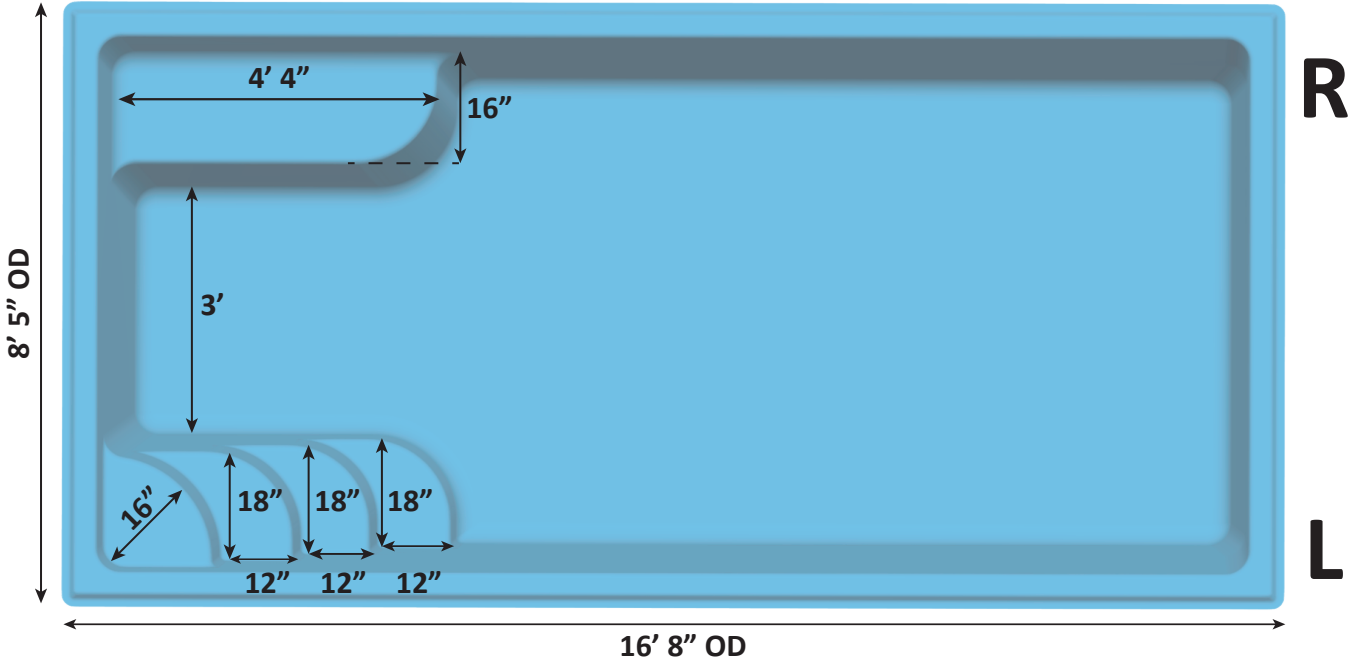
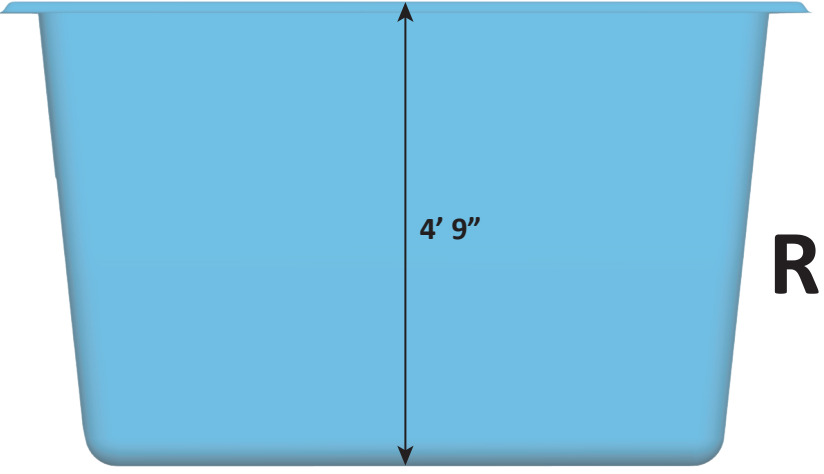


CYBERLANE (POOL ONLY) DETAIL SHEET - 01-05-22 - REVISION 01

Over Head View



Shallow End View



Deep End View

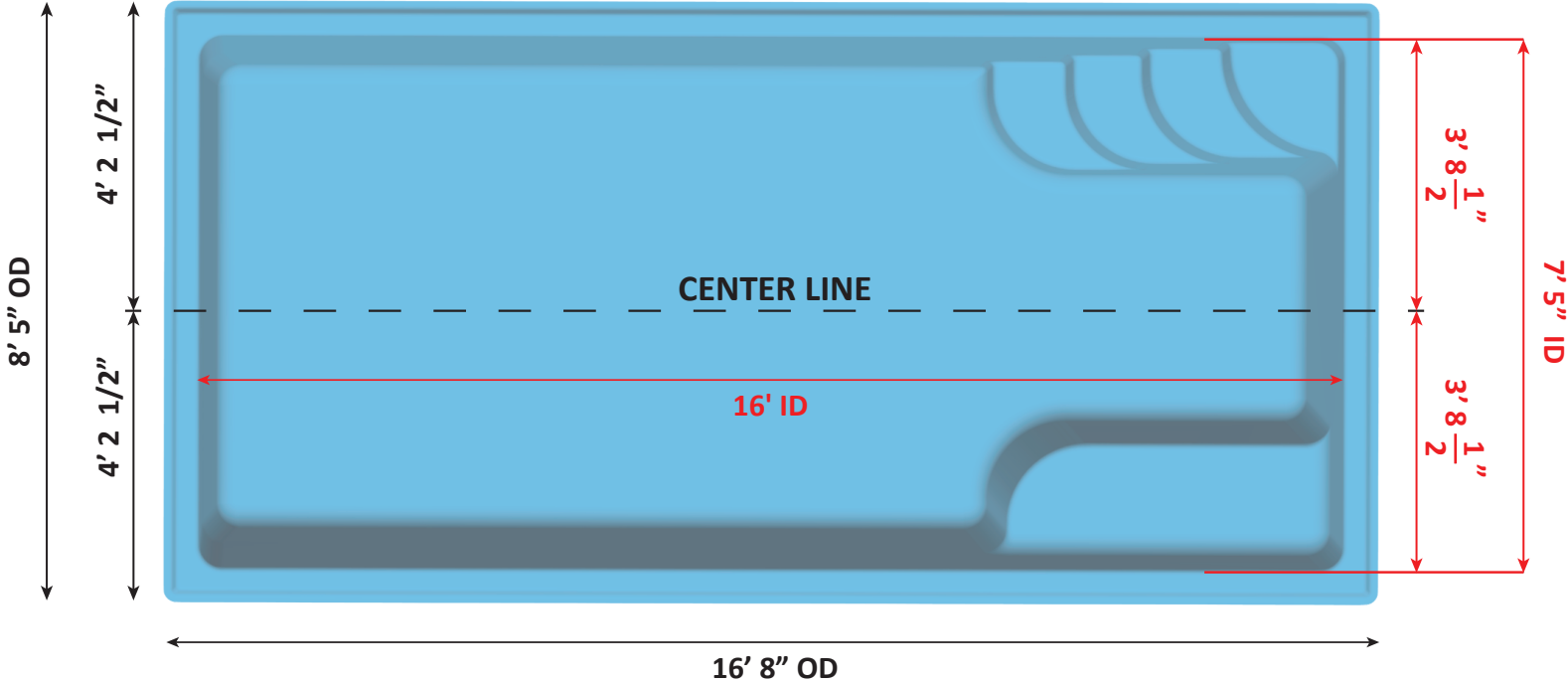
USA Specifications



Surface Area: 120 Sq. ft.
 Perimeter: 46 Lin. ft.
 Volume: 3,491 Gal.
 Per sect. 8.1, surfaces that provide footing have slip resistant surfaces.
 All measurments are averages.

CYBERLANE (POOL ONLY) DETAIL SHEET - 01-05-22 - REVISION 01

Over Head View



R

USA Specifications



Surface Area: 120 Sq. ft.
 Perimeter: 46 Lin. ft.
 Volume: 3,491 Gal.
 Per sect. 8.1, surfaces that provide footing have slip resistant surfaces.
 All measurments are averages.